

The Ins and Outs of Pasture Farrowing

John Gilbert





Outline

1. Background
2. Understanding the system – adaptive/versatile
3. What are the objectives
4. Choice of pigs – disposition and training
5. Infrastructure
6. Lessons Learned
7. Questions



Pasture Farrowing – A System – Not just outdoor farrowing

Requires Different:

- Mindset
- Expectations
- Skills
- Pigs

Plus Rain Gear





Advantages

- Lower cost infrastructure
- Scalable
- Skills-based
- Attractive story for customers
- Relies on pigs' natural behavior/Syncing with nature
- Fresh air/Work outside/
Good exercise
- Flexibility/Versatility
- Seasonal

Disadvantages

- Work outside
- Seasonal/May not fit with market timing
- Need right pigs





Pasture Requirements for Farrowing

1. Pasture
2. Drainage
3. Level areas (relatively)
4. Not near roads/yards/gardens
5. Not too exposed
6. Readily accessible
7. Ability to rotate to new ground each year
8. Desirable to be near:
 - Electricity for fence
 - A water source





1.

2.

3.







Pig Selections

1. Meet market needs
2. Disposition
 - Pick daughters of good sows
 - Select based on behavior – want friendly
 - Look for less upright ears – helps avoid flightiness
3. More rugged body type
 - Heavier bones
 - More fat cover
4. Cull to eliminate poor mothering ability





Infrastructure Needed

1. Fencing – electric + gates
2. Platforms
3. Watering system
4. Feeders recommended
5. Huts
6. Ways to move/sort/handle pigs (gates/carts)











A-House Frame Design

(to be covered with plywood and sheet metal)

Materials Needed:

4x4x8' – 2 (treated)

2x6x8' – 2

2x6x12' – 3

2x4x8' – 3

1/2" sheeting plywood – 3

3/4" treated plywood – 1

Sheet metal – 96 sq. feet

Ridge cap – 8 feet

Hardware:

1 eye screw & stiff wire

T-Hinges – 2

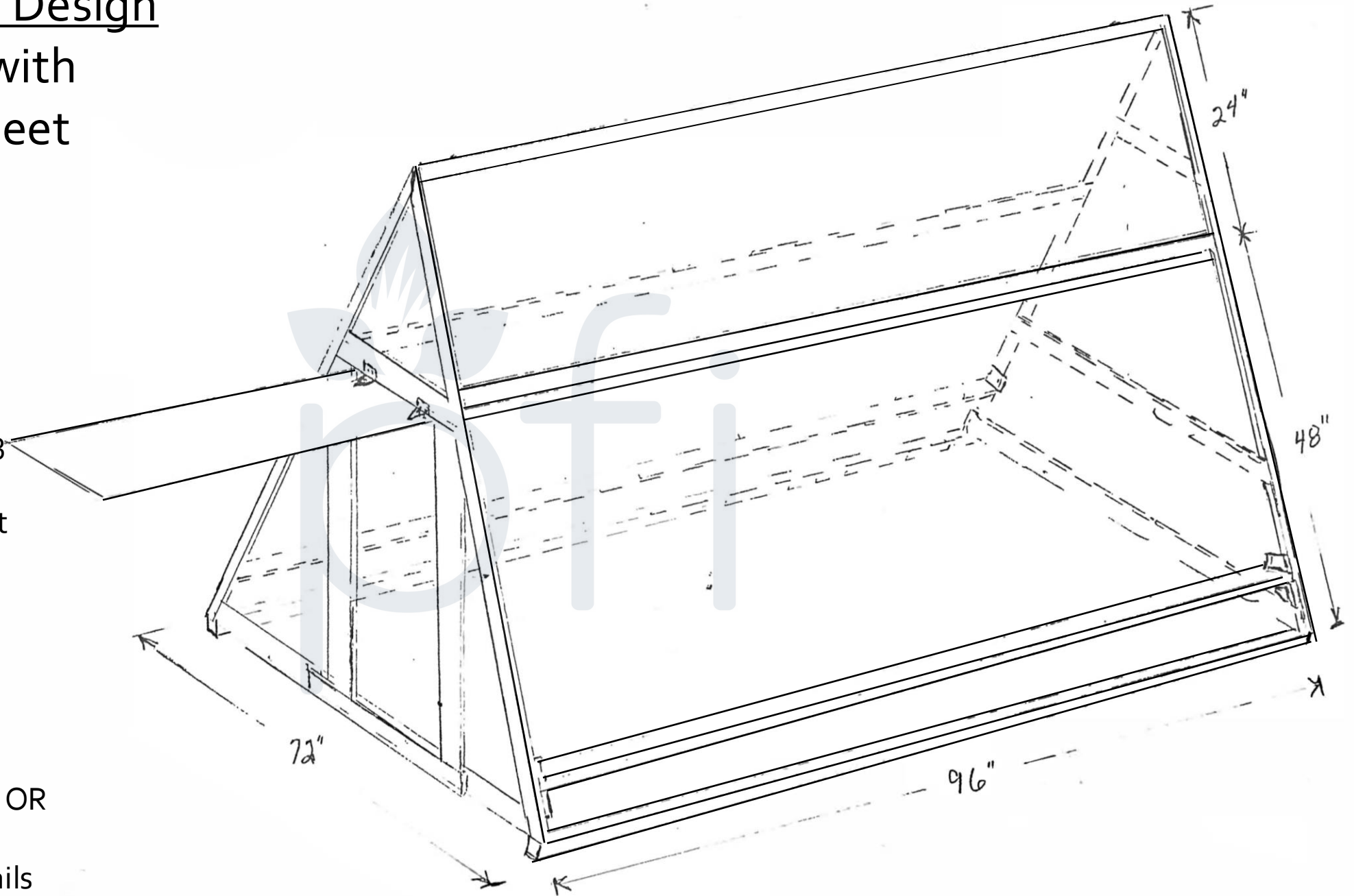
Bolts and lag screws

12 or 16 galvanized nails OR

3" decking screws

Galvanized 2" roofing nails

1 1/2" roofing screws





Additional Needs

1. Straw for bedding
2. A feeding plan/access to feed
3. Labor for routine checking
4. Vaccines/Veterinarian
5. An easily movable emergency shelter
6. A pitchfork
7. Hammer
8. Fence tester



Electric
Fence
Training







Questions?

John Gilbert

gibralterfarms@gmail.com

641-640-0389

